

**D-SERIES CRAWLER EXCAVATORS  
CX130D | CX160D | CX180D**

**CASE**

CONSTRUCTION



**TIER 4  
FINAL  
EU STAGE IV**

**IT'S TIME  
FOR MORE**

[www.casece.com](http://www.casece.com)

**EXPERTS FOR THE REAL WORLD  
SINCE 1842**

# STANDARD AND OPTIONS

## STANDARD EQUIPMENT

### ENGINE

Isuzu 4-cylinder turbo-charged diesel  
Tier 4 Final/EU stage IV Certified  
Selective Catalytic Reduction - SCR  
Diesel Oxidation Catalyst - DOC  
Cooled Exhaust Gas Recirculation - CEGR  
VGT turbocharger  
Electronic fuel injection  
High pressure common rail system  
Neutral safety start  
Auto-engine warm up, emergency stop  
Glow-plug pre-heat  
EPF (Engine Protection Feature)  
Dual-stage fuel filtration  
Dual element air filter  
Remote oil filter  
Green plug oil drain  
500-hour engine oil change interval  
24-Volt system  
Battery disconnect switch  
High ambient temperature cooling package  
External Fuel and AdBlue gauges  
Fuel cooler  
Fuel filter restriction indicator  
Fuel shut-off valve  
Idle start  
Radiator, oil cooler, intercooler - protective Screen  
Refueling Pump

### FUEL ECONOMY SYSTEMS

Engine Idle/Fuel Economy System:  
Auto-idle  
One-touch idle  
Auto-idle shut-down  
Torque control  
BEC - Boom Economy Control  
SWC - Swing Relief Control  
SSC - Spool Stroke Control

## OPTIONAL EQUIPMENT

### OPTIONAL HYDRAULICS

Clamshell circuit  
Low-flow circuit, proportional control  
Single acting pedal activated hammer circuit  
Single acting hammer circuit with electrical proportional control  
Pedal activated multifunction (hammer/high flow) circuit  
Multifunction (hammer/high flow) circuit with electrical proportional control

### ATTACHMENTS

#### CX130D

Arm 2.1 m HD  
Arm 3.0 m

### HYDRAULICS

Electronically controlled hydraulic pumps  
Auto power boost  
Auto travel speed change  
Selectable work modes  
Overload warning device  
ISO pattern controls  
Pre-set auxiliary pump settings  
Switch controlled auxiliary selection  
Auxiliary valve  
Hydraulic filter restriction indicator  
Oil cooler  
5,000 hour hydraulic oil change interval  
1,000 hour hydraulic filter change interval

### UPPERSTRUCTURE

ISO mirrors  
Handrail - RH access  
ISO guard rails  
Isolation mounted cab (fluid and spring)  
Lockable fuel cap, service doors and toolbox  
Rear view safety camera

### OPERATOR STATION

ROPS protection  
FOPS guard OPG level II  
Pressurized cab  
Tempered safety glass  
One-touch lock front window  
Sun visor&rain deflector  
AC/heat/defrost w/auto climate control  
Hot&coolbox, cup holder & ashtray  
Interior dome light  
Cloth covered air-suspension high-back seat  
Sliding seat - 90 mm  
Seat-belt  
Adjustable armrests  
Tilting consoles - 4-position  
Low-effort joystick controls  
Sliding cockpit 180 mm

### CX160D-CX180D

Arm 2.2m  
Arm 3.0 m  
Hydraulic quick coupler provision  
Safety valves and bucket linkage with hook

### OPERATOR STATION

Front cab guard - vertical bars (OPG level 2)  
Front cab guard - vertical bars (OPG level 1)  
Front mesh screen  
Travel alarm  
AM/FM CD/radio with antenna and 2-speakers  
LED working lights  
Side view camera  
Side view camera with LED lights (right and left)

Auxiliary select system  
Aux-in port for personal electronics  
Multifunction LED color monitor (180 mm)  
26 selectable languages for monitor  
Anti-theft system (start code system)  
Rubber floor mat  
12-volt electric socket  
24-volt cigarette lighter  
One-piece right hand window  
2 internal & 3 external view mirrors  
2 working lights (boom&upperstructure)  
2 cab top working lights  
Windshield wiper / washer  
Clear (Lexan) roof window w/sunshade  
Storage compartments  
On-board diagnostic system

### ATTACHMENTS

#### CX130D

Standard monoboom 4.63 m  
Arm 2.50 m

#### CX160D - 180D

Standard monoboom 5.15 m  
Arm 2.6 m  
Boom mounted work light  
Auxiliary pipe brackets  
Centralized lube bank  
Attachment cushion valve

### UNDERCARRIAGE

600 mm steel shoes, triple semi grouser  
Lashing points  
Single track guide (CX160D, CX180D)

### UNDERCARRIAGE

Steel shoes, triple semi-grouser  
500 mm (CX130DLC, CX130D Blade and CX160D)  
700 mm  
800 mm (CX180D only)  
500mm rubber link chains (CX130D Blade only)  
Double track guide (CX130D)  
Triple track guide (CX160D, CX180D)

### TELEMATICS

Three (3) year SiteWatch "Advanced" subscription with remote monitoring and one user's licence

# CX D-SERIES

## CX180D

### ENGINE

Model	ISUZU AR-4JJ1X
Type	Water-cooled, 4-cycle diesel, 4-cylinder in line, High pressure common rail system (electric control), turbocharger with air cooled intercooler, SCR system
Emissions	Tier 4 Final / Eu stage IV
Number of cylinders/Displacement (l)	4 / 2.99
Bore and stroke (mm)	95.4 X 104.9
<b>Rated flywheel horse power</b>	
ISO 9249	83.2 kW / 111.6 hp at 2200 min <sup>-1</sup>
ISO 14396	86.0 kW / 115.3 hp at 2200 min <sup>-1</sup>
<b>Maximum torque</b>	
ISO 9249	349 Nm at 1800 min <sup>-1</sup>
ISO 14396	356 Nm at 1800 min <sup>-1</sup>

### HYDRAULIC SYSTEM

Main pumps	2 variable displacement axial piston pumps with regulating system
Max. oil flow (l/min)	2 × 142 at 2200 min <sup>-1</sup>
<b>Working circuit pressure</b>	
Boom/Arm/Bucket (MPa)	34.3
	36.3 with auto power up
Swing circuit (MPa)	27.9
Travel circuit (MPa)	34.3
<b>Pilot pump</b>	1 gear pump
Max. oil flow (l/min)	22
Working circuit pressure (MPa)	3.9
<b>Boom Cylinders</b>	
Bore (mm)	115
Stroke (mm)	1179
<b>Arm Cylinders</b>	
Bore (mm)	125
Stroke (mm)	1280
<b>Bucket Cylinders</b>	
Bore (mm)	105
Stroke (mm)	985

### SWING

Swing Motor	Fixed displacement axial piston motor
Maximum swing speed (min <sup>-1</sup> )	11.5
Swing torque (Nm)	45100

### FILTERS

Suction filter (µm)	105
Return filter (µm)	6
Pilot line filter (µm)	8

### ELECTRICAL SYSTEM

Voltage (V)	24
Alternator (Amp)	50
Starter (V/kW)	24/4.0
Battery	2 X 12 V - 72 Ah/5HR

### UNDERCARRIAGE

Travel motor	Variable displacement axial piston motor
Travel speeds	
High (km/h - automatic travel speed shifting)	4.0
Low (km/h)	2.3
Drawbar pull (kN)	190
Number of carrier rollers (each side)	2
Number of track rollers (each side)	7
Number of shoes (each side)	46

### CIRCUIT AND COMPONENT CAPACITIES

Fuel tank (l)	300
Hydraulic system (l)	167
Hydraulic tank (l)	82
Adblue tank (l)	85

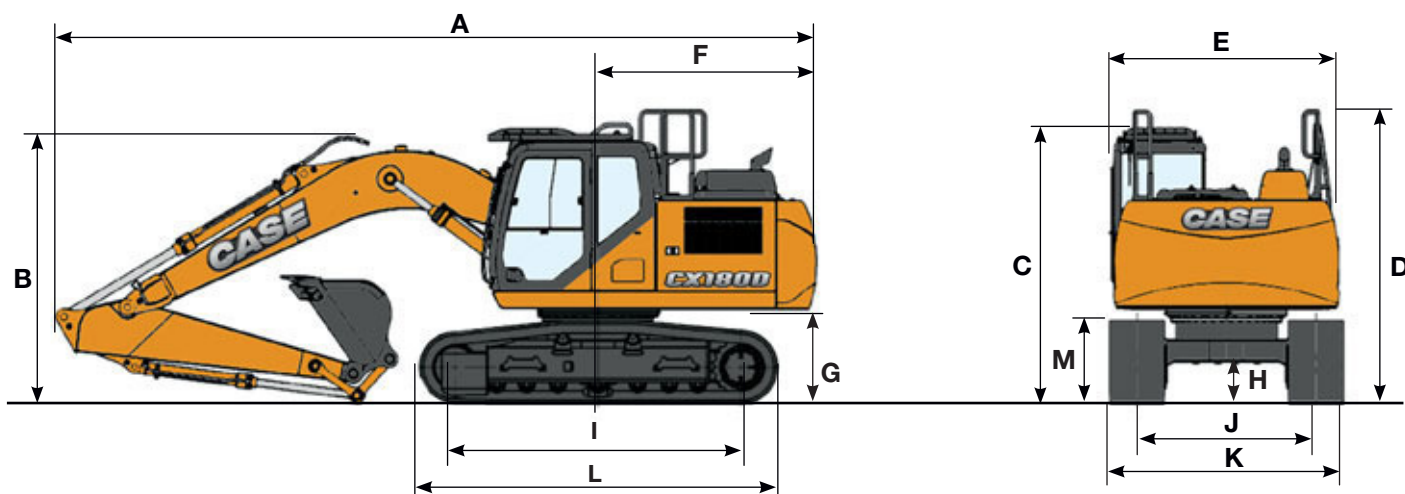
### WEIGHT AND GROUND PRESSURE

(with 2.62 m Arm, 0.62 m<sup>3</sup> bucket, 600 mm grouser shoe, operator, lubricant, coolant, full fuel tank and top guard OPG level 2)

#### CX180D

Weight	18500 kg
Ground Pressure	0.041 MPa
Counterweight	3170 kg

# SPECIFICATIONS



## GENERAL DIMENSIONS

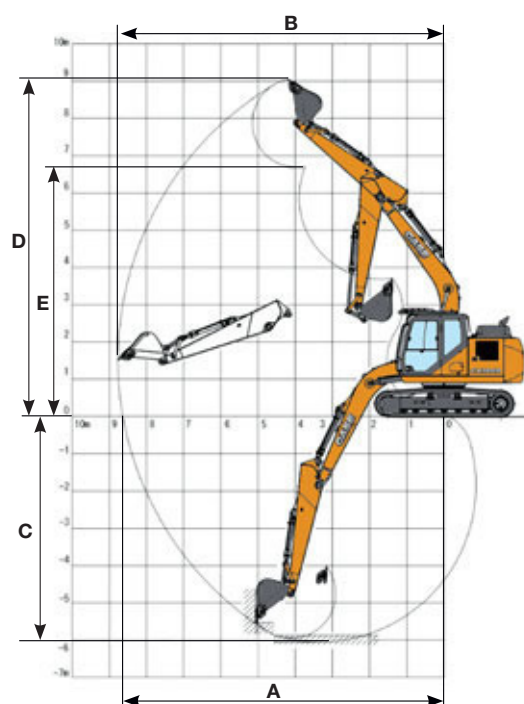
		Arm 2.6 m	Arm 3.0 m	Arm 2.2 m
Overall length (without attachment)	mm	4520	4520	4520
A Overall length (with attachment)	mm	8460	8510	8490
B Overall height (to top of boom)	mm	2960	3120	3000
C Cab height	mm	3070	3070	3070
D Overall height (to top of handrail)	mm	3280	3280	3280
E Upper structure overall width	mm	2530	2530	2530
F Swing (rear end) radius	mm	2470	2470	2470
G Clearance height under upper structure	mm	1040	1040	1040
H Minimum ground clearance	mm	440	440	440
I Wheel base (Center to center of wheels)	mm	3370	3370	3370
L Crawler overall length	mm	4180	4180	4180
M Crawler tracks height	mm	925	925	925
J Track gauge	mm	2200	2200	2200
K Undercarriage overall width (with 600 mm shoes)	mm	2800	2800	2800

## PERFORMANCE DATA

		Arm 2.6 m	Arm 3.0 m	Arm 2.2 m
Boom length	mm	5150	5150	5150
Bucket radius	mm	1350	1350	1350
Bucket wrist action	°	178	178	178
A Maximum reach at GRP	mm	8870	9210	8490
B Maximum reach	mm	9040	9380	8670
C Max. digging depth	mm	6040	6470	5650
D Max. digging height	mm	9250	9300	9030
E Max. dumping height	mm	6630	6710	6400

## DIGGING FORCE (ISO 6015)

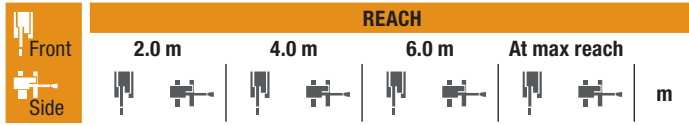
		Arm 2.6 m	Arm 3.0 m	Arm 2.3 m
Arm digging force	kN	79	72	90
with Auto power boost	kN	84	77	95
Bucket digging force	kN	112	112	112
with Auto power boost	kN	118	118	118





# LIFTING CAPACITY

## CX180D



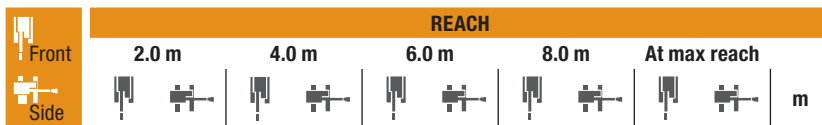
2.6 m length, 600 mm shoes. Max reach 7.69 m

REACH	2.0 m	4.0 m	6.0 m	At max reach					
6.0 m			3940*	3940*	2660*	2660*	6.38		
4.0 m		6100*	6100*	5080*	3860	2540*	2540*	7.35	
2.0 m		8910*	6480	5520	3640	2650*	2540	7.69	
0 m		10110	6100	5320	3470	3020*	2580	7.48	
-2.0 m	8140*	8140*	10050	6040	5280	3430	3940*	2990	6.69
-4.0 m	13600*	13600*	8020*	6240			5960*	4530	5.3



2.2 m length, 600 mm shoes. Max reach 7.32 m

REACH	2.0 m	4.0 m	6.0 m	At max reach					
6.0 m						3510*	3510*	5.94	
4.0 m		6740*	6740*	5430*	3840	3340*	3040	6.96	
2.0 m		9450*	6420	5510	3650	3500*	2750	7.32	
0 m		10130	6120	5350	3500	4040*	2800	7.11	
-2.0 m	9010*	9010*	10050*	6120	5340	3490	5040	3320	6.27
-4.0 m		7110*	6380				6110*	5500	4.44



3.0 m length, 600 mm shoes. Max reach 8.03 m

REACH	2.0 m	4.0 m	6.0 m	8.0 m	At max reach					
8.0 m						2820*	2820*	4.96		
6.0 m			3860*	3860*			2380*	2380*	6.79	
4.0 m			4690*	3880			2310*	2310*	7.7	
2.0 m		8260*	6560	5520	3650	2580*	2380	2440*	2360	8.3
0 m		10100	6080	5300	3450			2790*	2380	7.83
-2.0 m	7690*	7690*	9960	5960	5210	3370		3620*	2720	7.8
-4.0 m	14190*	14190*	8710*	6100				5890*	3870	5.54

## GENERAL PURPOSE BUCKET (DIRECT MOUNT)

CAPACITY (ISO7451 HEAPED)	WIDTH	WEIGHT	ARM 2.6 m	ARM 3.0 m	ARM 2.2 m
0.24 m <sup>3</sup>	470 mm	350 kg	○	○	○
0.36 m <sup>3</sup>	600 mm	389 kg	○	○	○
0.50 m <sup>3</sup>	750 mm	437 kg	○	○	○
0.62 m <sup>3</sup>	900 mm	475 kg	○	○	○
0.70 m <sup>3</sup>	1000 mm	501 kg	○	○	○
0.78 m <sup>3</sup>	1100 mm	536 kg	●	●	○
0.87 m <sup>3</sup>	1200 mm	562 kg	●	■	○
1.00 m <sup>3</sup> *	1350 mm	625 kg	■	■	●

\* remove for road transport with 3.05 m arm

## GENERAL PURPOSE SCOOP BUCKET (WITH CASE MULTI-FIT S COUPLER)

CAPACITY (ISO7451 HEAPED)	WIDTH	WEIGHT	ARM 2.6 m	ARM 3.0 m	ARM 2.2 m
0.24 m <sup>3</sup>	470 mm	338 kg	○	○	○
0.36 m <sup>3</sup>	600 mm	377 kg	○	○	○
0.50 m <sup>3</sup>	750 mm	417 kg	○	○	○
0.62 m <sup>3</sup>	900 mm	466 kg	○	●	○
0.70 m <sup>3</sup>	1000 mm	492 kg	●	●	○
0.78 m <sup>3</sup>	1100 mm	528 kg	■	■	○
0.87 m <sup>3</sup>	1200 mm	554 kg	■	■	●
1.00 m <sup>3</sup>	1350 mm	614 kg	×	×	■

## TILTABLE DITCH CLEANING BUCKET

CAPACITY (ISO7451 HEAPED)	WIDTH	WEIGHT	ARM 2.6 m	ARM 3.0 m	ARM 2.2 m
0.46 m <sup>3</sup>	1500 mm	644 kg	○	○	○
0.55 m <sup>3</sup>	1800 mm	700 kg	○	○	○
0.61 m <sup>3</sup>	2000 mm	739 kg	●	●	○
0.68 m <sup>3</sup>	2200 mm	804 kg	●	■	○
0.74 m <sup>3</sup>	2400 mm	836 kg	■	■	●

○ Rated material density up to 2 ton/m<sup>3</sup> ● Rated material density up to 1.6 ton/m<sup>3</sup> ■ Rated material density up to 1.2 ton/m<sup>3</sup> × Not applicable

\* The above loads (kg) are compliant to the ISO standards and refer to the excavator equipped without bucket. The indicated loads are no more than 87% of hydraulic system lift capacity or 75% of static tipping load. Values marked with an asterisk (\*) are limited by the hydraulic lifting capacity.

www.casece.com

**EXPERTS FOR THE REAL WORLD**  
**SINCE 1842**

**CASE**  
CONSTRUCTION



Form No. 20132GB - Printed in Italy - MediaCross Firenze - 03/16

**CNH INDUSTRIAL  
DEUTSCHLAND GMBH**  
Case Baumaschinen  
Benzstr. 1-3 - D-74076 Heilbronn  
DEUTSCHLAND

**CNH INDUSTRIAL FRANCE, S.A.**  
16-18 Rue des Rochettes  
91150 Morigny-Champigny  
FRANCE

**CNH INDUSTRIAL - UK**  
First Floor, Barclay Court 2,  
Heavens Walk,  
Doncaster - DN4 5HZ  
UNITED KINGDOM

**CNH INDUSTRIAL - SOUTH AFRICA**  
Waterfall Business Park  
Bekker Street, Howick Close  
1685 Midrand - Johannesburg  
REPUBLIC OF SOUTH AFRICA

**CNH INDUSTRIAL  
MAQUINARIA SPAIN, S.A.**  
Avda. José Gárate, 11  
28823 Coslada (Madrid)  
ESPAÑA

**CNH INDUSTRIAL ITALIA SPA**  
Strada di Settimo, 323  
10099 San Mauro Torinese (TO)  
ITALIA

**CASE CUSTOMER CENTRE  
PARIS**  
RN 330 - Penchard  
77122 - Monthyon  
FRANCE

**CNH INDUSTRIAL - MIDDLE EAST**  
DAFZA - Dubai Airport Free Zone  
West Wing 4 B, Office 642  
P.O. Box 54588, Dubai,  
UNITED ARAB EMIRATES

**NOTE:** Standard and optional fittings can vary according to the demands and specific regulations of each country. The illustrations may include optional rather than standard fittings - consult your Case dealer. Furthermore, CNH Industrial reserves the right to modify machine specifications without incurring any obligation relating to such changes.

Conforms to directive 2006/42/EC

**CASE** Customer Assistance  
**00800-2273-7373**

The call is free from a land line.  
Check in advance with your Mobile Operator if you will be charged. Toll free number not available from all calling areas.

