

**D-SERIES CRAWLER EXCAVATORS
CX130D | CX160D | CX180D**

CASE

CONSTRUCTION



**TIER 4
FINAL
EU STAGE IV**

**IT'S TIME
FOR MORE**

www.casece.com

**EXPERTS FOR THE REAL WORLD
SINCE 1842**

STANDARD AND OPTIONS

STANDARD EQUIPMENT

ENGINE

Isuzu 4-cylinder turbo-charged diesel
Tier 4 Final/EU stage IV Certified
Selective Catalytic Reduction - SCR
Diesel Oxidation Catalyst - DOC
Cooled Exhaust Gas Recirculation - CEGR
VGT turbocharger
Electronic fuel injection
High pressure common rail system
Neutral safety start
Auto-engine warm up, emergency stop
Glow-plug pre-heat
EPF (Engine Protection Feature)
Dual-stage fuel filtration
Dual element air filter
Remote oil filter
Green plug oil drain
500-hour engine oil change interval
24-Volt system
Battery disconnect switch
High ambient temperature cooling package
External Fuel and AdBlue gauges
Fuel cooler
Fuel filter restriction indicator
Fuel shut-off valve
Idle start
Radiator, oil cooler, intercooler - protective Screen
Refueling Pump

FUEL ECONOMY SYSTEMS

Engine Idle/Fuel Economy System:
Auto-idle
One-touch idle
Auto-idle shut-down
Torque control
BEC - Boom Economy Control
SWC - Swing Relief Control
SSC - Spool Stroke Control

OPTIONAL EQUIPMENT

OPTIONAL HYDRAULICS

Clamshell circuit
Low-flow circuit, proportional control
Single acting pedal activated hammer circuit
Single acting hammer circuit with electrical proportional control
Pedal activated multifunction (hammer/high flow) circuit
Multifunction (hammer/high flow) circuit with electrical proportional control

ATTACHMENTS

CX130D

Arm 2.1 m HD
Arm 3.0 m

HYDRAULICS

Electronically controlled hydraulic pumps
Auto power boost
Auto travel speed change
Selectable work modes
Overload warning device
ISO pattern controls
Pre-set auxiliary pump settings
Switch controlled auxiliary selection
Auxiliary valve
Hydraulic filter restriction indicator
Oil cooler
5,000 hour hydraulic oil change interval
1,000 hour hydraulic filter change interval

UPPERSTRUCTURE

ISO mirrors
Handrail - RH access
ISO guard rails
Isolation mounted cab (fluid and spring)
Lockable fuel cap, service doors and toolbox
Rear view safety camera

OPERATOR STATION

ROPS protection
FOPS guard OPG level II
Pressurized cab
Tempered safety glass
One-touch lock front window
Sun visor&rain deflector
AC/heat/defrost w/auto climate control
Hot&coolbox, cup holder & ashtray
Interior dome light
Cloth covered air-suspension high-back seat
Sliding seat - 90 mm
Seat-belt
Adjustable armrests
Tilting consoles - 4-position
Low-effort joystick controls
Sliding cockpit 180 mm

CX160D-CX180D

Arm 2.2m
Arm 3.0 m
Hydraulic quick coupler provision
Safety valves and bucket linkage with hook

OPERATOR STATION

Front cab guard - vertical bars (OPG level 2)
Front cab guard - vertical bars (OPG level 1)
Front mesh screen
Travel alarm
AM/FM CD/radio with antenna and 2-speakers
LED working lights
Side view camera
Side view camera with LED lights (right and left)

Auxiliary select system
Aux-in port for personal electronics
Multifunction LED color monitor (180 mm)
26 selectable languages for monitor
Anti-theft system (start code system)
Rubber floor mat
12-volt electric socket
24-volt cigarette lighter
One-piece right hand window
2 internal & 3 external view mirrors
2 working lights (boom&upperstructure)
2 cab top working lights
Windshield wiper / washer
Clear (Lexan) roof window w/sunshade
Storage compartments
On-board diagnostic system

ATTACHMENTS

CX130D

Standard monoboom 4.63 m
Arm 2.50 m

CX160D - 180D

Standard monoboom 5.15 m
Arm 2.6 m
Boom mounted work light
Auxiliary pipe brackets
Centralized lube bank
Attachment cushion valve

UNDERCARRIAGE

600 mm steel shoes, triple semi grouser
Lashing points
Single track guide (CX160D, CX180D)

UNDERCARRIAGE

Steel shoes, triple semi-grouser
500 mm (CX130DLC, CX130D Blade and CX160D)
700 mm
800 mm (CX180D only)
500mm rubber link chains (CX130D Blade only)
Double track guide (CX130D)
Triple track guide (CX160D, CX180D)

TELEMATICS

Three (3) year SiteWatch "Advanced" subscription with remote monitoring and one user's licence

CX D-SERIES

CX160D

ENGINE

Model	ISUZU AR-4JJ1X
Type	Water-cooled, 4-cycle diesel, 4-cylinder in line, High pressure common rail system (electric control), turbocharger with air cooled intercooler, SCR system
Emissions	Tier 4 Final / Eu stage IV
Number of cylinders/Displacement (l)	4 / 2.99
Bore and stroke (mm)	95.4 x 104.9
Rated flywheel horse power	
ISO 9249	83.2 kW / 111.6 hp at 2200 min ⁻¹
ISO 14396	86.0 kW / 115.3 hp at 2200 min ⁻¹
Maximum torque	
ISO 9249	349 Nm at 1800 min ⁻¹
ISO 14396	356 Nm at 1800 min ⁻¹

HYDRAULIC SYSTEM

Main pumps	2 variable displacement axial piston pumps with regulating system
Max. oil flow (l/min)	2 × 142 at 2200 min ⁻¹
Working circuit pressure	
Boom/Arm/Bucket (MPa)	34.3 36.3 with auto power boost
Swing circuit (MPa)	27.9
Travel circuit (MPa)	34.3
Pilot pump	1 gear pump
Max. oil flow (l/min)	22
Working circuit pressure (MPa)	3.9
Boom Cylinders	
Bore (mm)	115
Stroke (mm)	1179
Arm Cylinders	
Bore (mm)	125
Stroke (mm)	1280
Bucket Cylinders	
Bore (mm)	105
Stroke (mm)	985

SWING

Swing Motor	Fixed displacement axial piston motor
Maximum swing speed (min ⁻¹)	11.5
Swing torque (Nm)	45100

FILTERS

Suction filter (µm)	105
Return filter (µm)	6
Pilot line filter (µm)	8

ELECTRICAL SYSTEM

Voltage (V)	24
Alternator (Amp)	50
Starter (V/kW)	24/4.0
Battery	2 X 12 V - 72 Ah/5HR

UNDERCARRIAGE

Travel motor	Variable displacement axial piston motor
Travel speeds	
High (km/h - automatic travel speed shifting)	5.4
Low (km/h)	2.8
Drawbar pull (kN)	160
Number of carrier rollers (each side)	2
Number of track rollers (each side)	7
Number of shoes (each side)	44

CIRCUIT AND COMPONENT CAPACITIES

Fuel tank (l)	300
Hydraulic system (l)	167
Hydraulic tank (l)	82
Adblue tank (l)	85

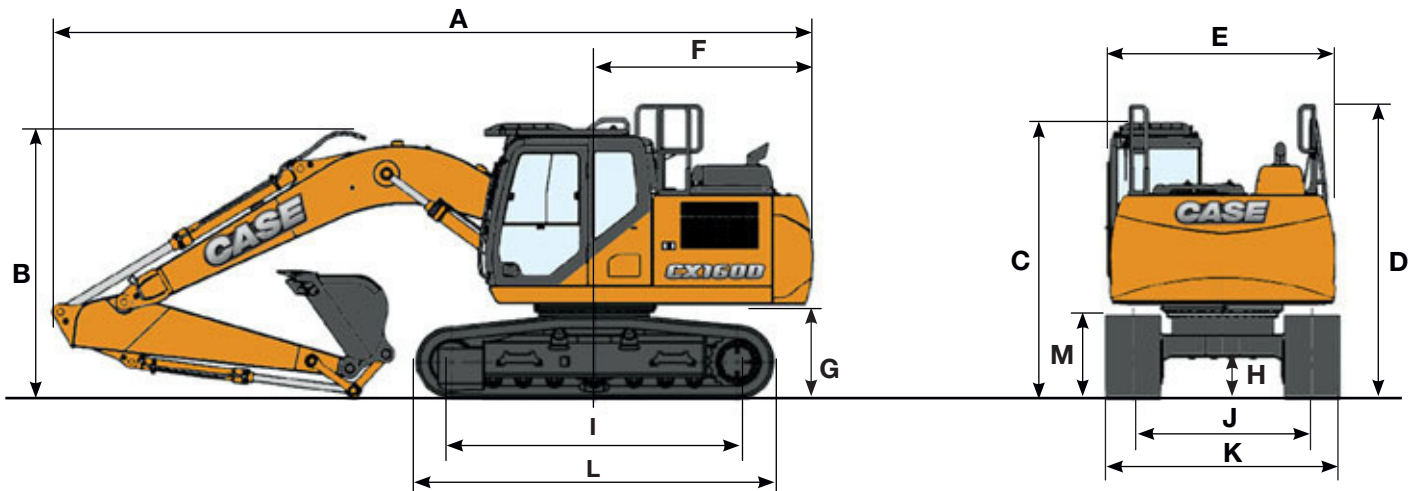
WEIGHT AND GROUND PRESSURE

(with 2.62 m arm , 0.62 m³ bucket , 600 mm grouser shoe, operator, lubricant, coolant, full fuel tank and top guard OPG level 2)

CX160D

Weight	17400 kg
Ground Pressure	0.041 MPa
Counterweight	2920 kg

SPECIFICATIONS



GENERAL DIMENSIONS

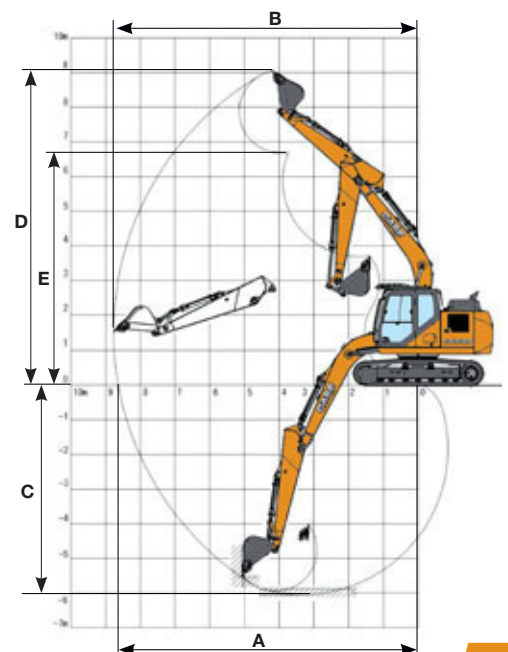
		Arm 2.6 m	Arm 3.0 m	Arm 2.2 m
Overall length (without attachment)	mm	4430	4430	4430
A Overall length (with attachment)	mm	8460	8520	8490
B Overall height (to top of boom)	mm	2960	3130	3000
C Cab height	mm	3050	3050	3050
D Overall height (to top of handrail)	mm	3260	3260	3260
E Upper structure overall width	mm	2530	2530	2530
F Swing (rear end) radius	mm	2470	2470	2470
G Clearance height under upper structure	mm	1020	1020	1020
H Minimum ground clearance	mm	420	420	420
I Wheel base (Center to center of wheels)	mm	3190	3190	3190
L Crawler overall length	mm	3990	3990	3990
M Crawler tracks height	mm	920	920	920
J Track gauge	mm	1990	1990	1990
K Undercarriage overall width (with 600 mm shoes)	mm	2590	2590	2590

PERFORMANCE DATA

		Arm 2.6 m	Arm 3.0 m	Arm 2.2 m
Boom length	mm	5150	5150	5150
Bucket radius	mm	1350	1350	1350
Bucket wrist action	°	178	178	178
A Maximum reach at GRP	mm	8870	9220	8490
B Maximum reach	mm	9040	9380	8670
C Max. digging depth	mm	6060	6490	5660
D Max. digging height	mm	9240	9290	9010
E Max. dumping height	mm	6610	6690	6380

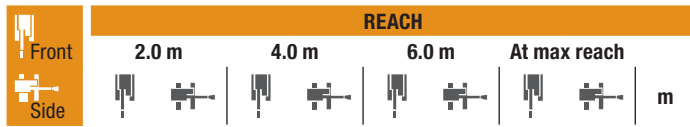
DIGGING FORCE (ISO 6015)

		Arm 2.6 m	Arm 3.0 m	Arm 2.2 m
Arm digging force	kN	79	72	90
with Auto power boost	kN	84	77	95
Bucket digging force	kN	112	112	112
with Auto power boost	kN	118	118	118



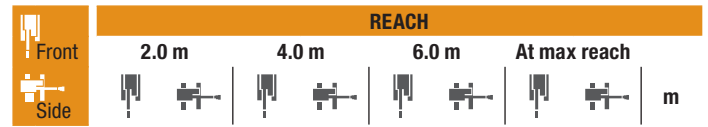
LIFTING CAPACITY

CX160D



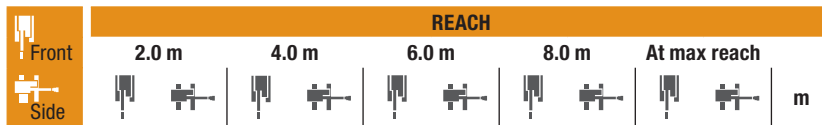
2.6 m length, 600 mm shoes. Max reach 7.69 m

Boom Length	2.0 m	4.0 m	6.0 m	At max reach	Reach (m)				
6.0 m			3920*	3340	2660*	2660*	6.37		
4.0 m		6090*	6000	5000	3240	2540*	2330	7.34	
2.0 m		8890*	5340	4760	3030	2650*	2100	7.69	
0 m		8560	4970	4580	2680	3010*	2120	7.49	
-2.0 m	8100*	8100*	8500	4910	4530	2820	3890	2450	6.7
-4.0 m	13650*	13650*	8050*	5100			5960*	3720	5.5



2.2 m length, 600 mm shoes. Max reach 7.32 m

Boom Length	2.0 m	4.0 m	6.0 m	At max reach	Reach (m)				
6.0 m					3510*	3360	5.92		
4.0 m		6720*	5910	4970	3220	3340*	2540	6.96	
2.0 m		8940	5280	4760	3030	3510*	2270	7.32	
0 m		8580	4990	4600	2890	3620	2310	7.11	
-2.0 m	8950*	8950*	8580	4990	4590	2880	4330	2730	6.28
-4.0 m		7160*	5230			6120*	4510	4.46	



3.0 m length, 600 mm shoes. Max reach 8.03 m

Boom Length	2.0 m	4.0 m	6.0 m	8.0 m	At max reach	Reach (m)				
8.0 m						2820*	2820*	4.94		
6.0 m			3850*	3390		2390*	2390*	6.78		
4.0 m			4690*	3260		2310*	2160	7.7		
2.0 m		8240*	5410	4770	3030	2570*	1950	2440*	1940	8.3
0 m		8550	4940	4550	2830		2790*	1950	7.84	
-2.0 m	7650*	7650*	8410	4830	4470	2750		3540	2220	7.9
-4.0 m	14120*	14120*	8570	4960				5120	3170	5.56

GENERAL PURPOSE BUCKET (DIRECT MOUNT)

CAPACITY (ISO7451 HEAPED)	WIDTH	WEIGHT	ARM 2.6 m	ARM 3.0 m	ARM 2.2 m
0.24 m ³	470 mm	350 kg	○	○	○
0.36 m ³	600 mm	389 kg	○	○	○
0.50 m ³	750 mm	437 kg	○	○	○
0.62 m ³	900 mm	475 kg	○	●	○
0.70 m ³	1000 mm	501 kg	●	●	○
0.78 m ³	1100 mm	536 kg	●	■	●
0.87 m ³	1200 mm	562 kg	■	■	●
1.00 m ³	1350 mm	625 kg	■	×	■

GENERAL PURPOSE SCOOP BUCKET (WITH CASE MULTI-FIT S COUPLER)

CAPACITY (ISO7451 HEAPED)	WIDTH	WEIGHT	ARM 2.6 m	ARM 3.0 m	ARM 2.2 m
0.24 m ³	470 mm	338 kg	○	○	○
0.36 m ³	600 mm	377 kg	○	○	○
0.50 m ³	750 mm	417 kg	○	●	○
0.62 m ³	900 mm	466 kg	●	■	○
0.70 m ³	1000 mm	492 kg	■	■	●
0.78 m ³	1100 mm	528 kg	■	×	■
0.87 m ³	1200 mm	554 kg	×	×	■

TILTABLE DITCH CLEANING BUCKET

CAPACITY (ISO7451 HEAPED)	WIDTH	WEIGHT	ARM 2.6 m	ARM 3.0 m	ARM 2.2 m
0.46 m ³	1500 mm	644 kg	○	○	○
0.55 m ³	1800 mm	700 kg	●	●	○
0.61 m ³	2000 mm	739 kg	●	■	●
0.68 m ³	2200 mm	804 kg	■	■	●
0.74 m ³	2400 mm	836 kg	■	×	■

○ Rated material density up to 2 ton/m³ ● Rated material density up to 1.6 ton/m³ ■ Rated material density up to 1.2 ton/m³ × Not applicable

* The above loads (kg) are compliant to the ISO standards and refer to the excavator equipped without bucket. The indicated loads are no more than 87% of hydraulic system lift capacity or 75% of static tipping load. Values marked with an asterisk (*) are limited by the hydraulic lifting capacity.

www.casece.com

EXPERTS FOR THE REAL WORLD
SINCE 1842

CASE
CONSTRUCTION



Form No. 20132GB - Printed in Italy - MediaCross Firenze - 03/16

**CNH INDUSTRIAL
DEUTSCHLAND GMBH**
Case Baumaschinen
Benzstr. 1-3 - D-74076 Heilbronn
DEUTSCHLAND

CNH INDUSTRIAL FRANCE, S.A.
16-18 Rue des Rochettes
91150 Morigny-Champigny
FRANCE

CNH INDUSTRIAL - UK
First Floor, Barclay Court 2,
Heavens Walk,
Doncaster - DN4 5HZ
UNITED KINGDOM

CNH INDUSTRIAL - SOUTH AFRICA
Waterfall Business Park
Bekker Street, Howick Close
1685 Midrand - Johannesburg
REPUBLIC OF SOUTH AFRICA

**CNH INDUSTRIAL
MAQUINARIA SPAIN, S.A.**
Avda. José Gárate, 11
28823 Coslada (Madrid)
ESPAÑA

CNH INDUSTRIAL ITALIA SPA
Strada di Settimo, 323
10099 San Mauro Torinese (TO)
ITALIA

**CASE CUSTOMER CENTRE
PARIS**
RN 330 - Penchard
77122 - Monthyon
FRANCE

CNH INDUSTRIAL - MIDDLE EAST
DAFZA - Dubai Airport Free Zone
West Wing 4 B, Office 642
P.O. Box 54588, Dubai,
UNITED ARAB EMIRATES

NOTE: Standard and optional fittings can vary according to the demands and specific regulations of each country. The illustrations may include optional rather than standard fittings - consult your Case dealer. Furthermore, CNH Industrial reserves the right to modify machine specifications without incurring any obligation relating to such changes.

Conforms to directive 2006/42/EC

CASE Customer Assistance
00800-2273-7373

The call is free from a land line.
Check in advance with your Mobile Operator if you will be charged. Toll free number not available from all calling areas.

